

INTEGRATED ILLUMINATION SOLUTIONS FOR YOUR CROPPER – FOR EDIBLE, DECORATIVE, MEDICAL PLANTS AND ALGAE CULTIVATION.



SANSOL
solutions for growth

FLEX-PRO SERIES

LED Lighting
for healthy
plant growth

**Horticultural
Solution
by SANSOL**

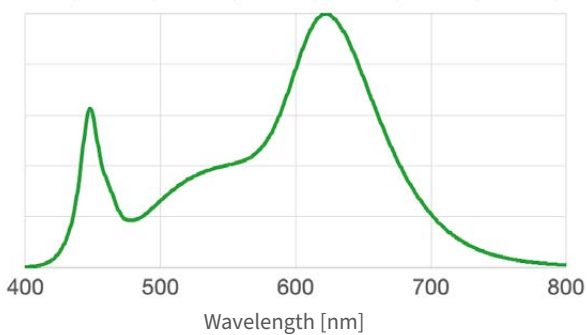
FLEX-PRO SERIES



Available with two specific emission spectra according to your project requirements.

REQUIREMENT SPECIFIC EMISSION SPECTRA

SPECTRUM S4



fast and strong root development

balanced internode spacing

propagation of seedlings

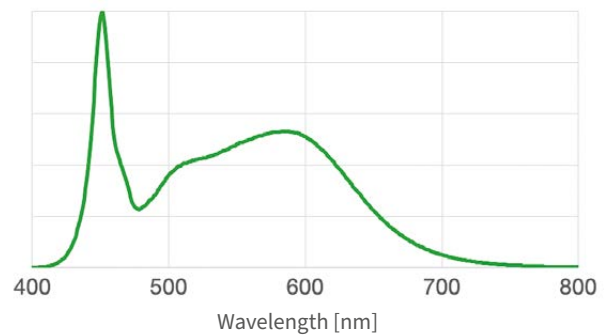
propagation of cuttings

production of microgreens

production of leafy greens

production of algae

SPECTRUM S7



efficient rootage

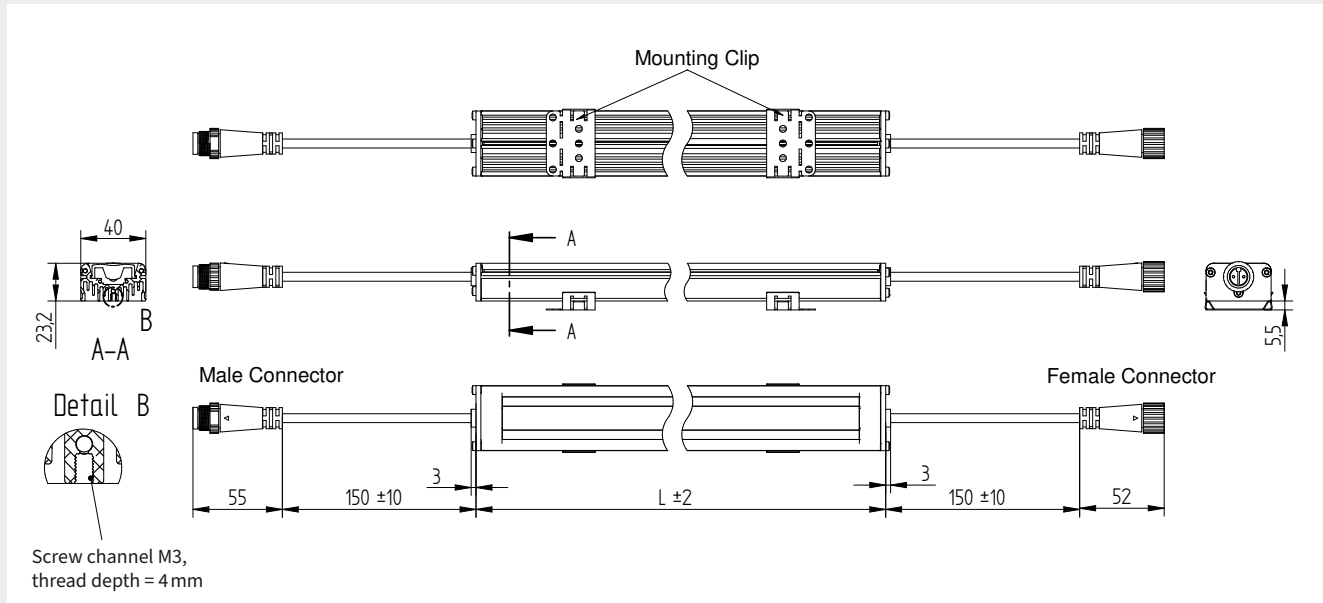
propagation of cuttings

compact inter-node spacing

especially suitable for propagation of cannabis

AVAILABLE LENGTHS

FLEX-PRO	1	2	3	4	5	6	7	8	9	10	11	12	13	14	15	16
Length L (mm)	180	321	462	603	744	885	1026	1167	1308	1449	1590	1731	1872	2013	2154	2295
Weight (Kg)	0,18	0,34	0,50	0,66	0,82	0,98	1,14	1,30	1,46	1,62	1,78	1,94	2,10	2,26	2,42	2,58
Performance (W)	4,4	8,8	13,2	17,6	22	26,4	30,8	35,2	39,6	44	48,4	52,8	57,2	61,6	66	70,4



PERFORMANCE DATA

Spectrum	S4/S7	Thermal management	passive
Efficiency	2,3/2,6 [$\mu\text{mol}/\text{J}$]	Ambient temperature	0 °C up to +35 °C
Safety extra-low voltage	<60 Vdc for humid environments	Storage temperature	-5 °C up to +40 °C
Lifetime @ Ta = 25 °C	L90B10 = 80.000 h	Protection class	IP 65 / resistant in direct contact with pesticides and herbicides
External control gear	60 / 150 / 240 / 320 / 480 / 600 W	Impact resistance	IK 06
Supply voltage	100 – 270 Vac		
Power factor	> 0,95		
Dimming	1–10 V oder DALI		

ACCESSORIES

Connection cable, end cap, mounting clips (2pcs. included)

APPLICATION EXAMPLE

Flex-Pro S4 with 600 W control gear

	PPFD [$\mu\text{mol}/\text{s}/\text{m}^2$]	exposed area	Energy use	distance to plant canopy
linear*	250	17 m (x 0,5 m)	35 W/m	200 mm
area	50	24 m ²	25 W/m ²	650 mm
	100	12 m ²	50 W/m ²	350 mm
	150	9 m ²	75 W/m ²	280 mm
	200	6 m ²	100 W/m ²	220 mm

* e.g. strawberries

HEALTHY GROWTH FOR YOUR PLANTS. AND YOUR COMPANY.

We create lighting solutions that are based on the economic viability of your project.



temperature control



CO₂ control



relative humidity



lighting solution



fertilization



plant protection



irrigation

FLEX-PRO guarantees you

- an illumination solution perfectly adapted to your production system
- economic cultivation in indoor systems and vertical farms through ideal interaction of all growth parameters

SANSOL supports you

- from project planning to investment planning.
- during the construction and commissioning of the lighting system.
- during process optimisation and production ramp-up.
- to strengthen your brand effectively on the market.

COMPANIES THAT GROW. WITH INNOVATIVE ILLUMINATION FROM SANSOL.



SANSOL GmbH, Technologiepark 10, 8380 Jennersdorf, AUSTRIA, meet@sansol.eu
www.sansol.eu